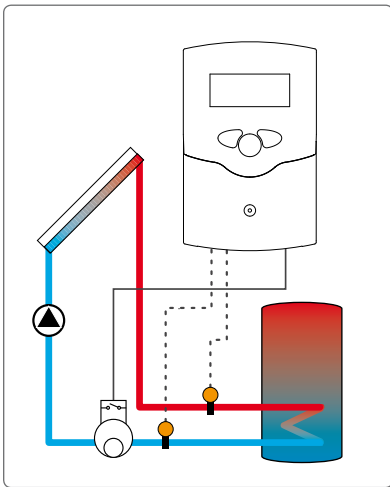
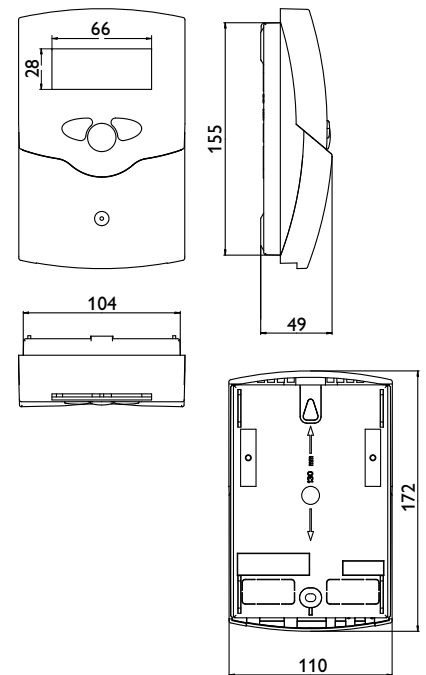


Calorimeter WMZ



Technical data



Universal calorimeter module for solar and heating systems. Graphic display for indication of flow and return temperature, heat quantity, output, flow rate and sensor faults (balance values are also stored in the case of a power failure). Suited for solar systems with propylene-glycol-mixtures of 0 ... 70 Vol%.

Housing: plastic, PC-ABS and PMMA

Protection type: IP 20 / DIN 40050

Ambient temp.: 0 ... 40 °C

Display: Graphic display as well as bi-coloured LED-display

Power supply: 220 ... 240V~

Power consumption: approx. 2VA

Settings:

- **Volumetric content of glycol:** 0 ... 70% (1% - steps)
- **Impulse rate of flow rate:** 0 ... 99 l/Imp (1 l/Imp - steps) for RESOL V40 flowmeter

Temperature measurement:

RESOL Pt1000 sensors only

Temperature measurement: ± 0,3 K

Measuring range: -30 ... +150 °C

Interface: RESOL VBus®



RESOL WMZ - Full kit

Calorimeter module incl. 2 temp. sensors Pt1000 (2 x FRP45) and flowmeter V40-0,6

Article-no: 135 304 13

as above, but with V40-1,5 flowmeter

Article-no: 135 304 23

as above, but with V40-2,5 flowmeter

Article-no: 135 304 33

as above, but with V40-3,5 flowmeter

Article-no: 135 305 03

as above, but with V40-6,0 flowmeter

Article-no: 135 305 13

as above, but with V40-10 flowmeter

Article-no: 135 305 23

as above, but with V40-15 flowmeter

Article-no: 135 305 33

All Prices are subject to price bracket A

RESOL WMZ

Calorimeter module incl. power supply

Price bracket A **Article-no:** 135 303 53

T-piece sensor

(Please see page 68 for further information)



RESOL T22

T-piece sensor 22 mm with FKP 5,5 temperature sensor and TH30 immersion sleeve

Article-no: 155 005 80

RESOL T28

T-piece sensor 28 mm with FKP 5,5 temperature sensor and TH30 immersion sleeve

Article-no: 155 005 90

All Prices are subject to price bracket A

WMZ-kit 1

V40-0,6 flowmeter incl. 2 sensors Pt1000
(2 x FRP30)

Article-no: 290 006 10

WMZ-kit 2

as above, but with V40-15 flowmeter

Article-no: 290 006 20

WMZ-kit 3

as above, but with V40-25 flowmeter

Article-no: 290 006 30

WMZ-kit 4

as above, but with V40-35 flowmeter

Article-no: 290 013 60

WMZ-kit 5

as above, but with V40-60 flowmeter

Article-no: 290 013 70

WMZ-kit 6

as above, but with V40-100 flowmeter

Article-no: 290 013 80

WMZ-kit 7

as above, but with V40-150 flowmeter

Article-no: 290 013 90

All Prices are subject to price bracket A

Examples of connection**Cascade without controller****Cascade with controller**

The connection sequence at the VBus® is arbitrary.