

Flowmeter for detecting flow rates

- Suitable for water-glycol mixtures
- Impeller meter with magnetic clutch
- Low pressure loss
- High-quality and wear-resistant materials



The RESOL V40 is a measuring instrument for detecting the flow of water or water/glycol mixtures and is used in combination with the calorimeter module RESOL WMZ. After a specific volume has passed, the V40 reed switch sends an impulse to the calorimeter. The heat quantity used is calculated by the calorimeter using these impulses and the measured temperature difference with the help of pre-defined parameters (glycol type, concentration, heat capacity, etc.).

The V40 is available for different thread diameters and nominal flow rates. These types differ in construction, but have the same function and are delivered with connection thread.

Please pay attention to the flow direction when mounting the V40 (pay attention to the flow direction indicated on the flowmeter!). In order to smooth the flow, an inlet zone and an outlet zone of 30 cm in front of and behind the flowmeter have to be taken into account.

Note:

Solar thermal systems have to be filled in a cold state.

Technical data

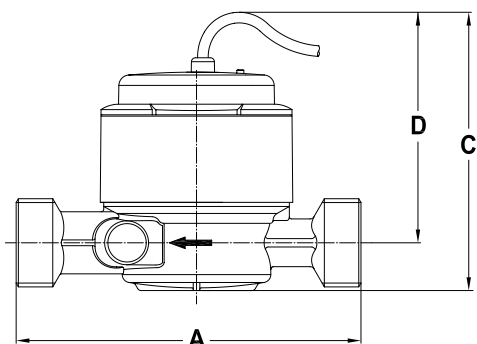
Type		V40-06	V40-15	V40-25	V40-35	V40-60	V40-100	V40-150
Version		1	1	1	2	2	2	2
Impulse rate	l/Imp	1	10	25	25	25	25	25
Nominal width	DN	20	20	20	25	32	40	50
Connection thread at counter	inch	1	1	1	1 ¼	1 ¼	2	2 ¾
Connection thread of screwing	inch	¾	¾	¾	1	1	1 ½	2
Max. operating pressure	P _{max} bar	16	16	16	16	16	16	16
Max. operating temperature	T _{max} °C	120	120	120	130	130	130	130
Nominal flow rate*	Q _n m³/h	0,6	1,5	2,5	3,5	6	10	15
Highest flow rate*	Q _{max} m³/h	1,2	3	5	7	12	20	30
Separation limit ± 3%*	Q _t l/h	48	120	200	280	480	800	1200
Lowest flow rate horizontal*	Q _{min} l/h	12	30	50	70	120	200	300
Lowest flow rate vertical*	Q _{min} l/h	21	60	100	-	-	-	-
Pressure loss at 2/3 Q _n *	bar	0,1	0,1	0,1	0,1	0,1	0,1	0,1
Art.-Nr.		280 01100	28001110	28001120	28001360	28001370	28001380	28001390

* These specifications apply to water; if water-glycol mixtures are used, the specifications may deviate due to different viscosity values.



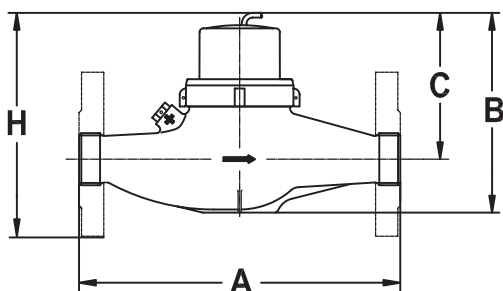
Flowmeter for detecting flow rates

Version 1



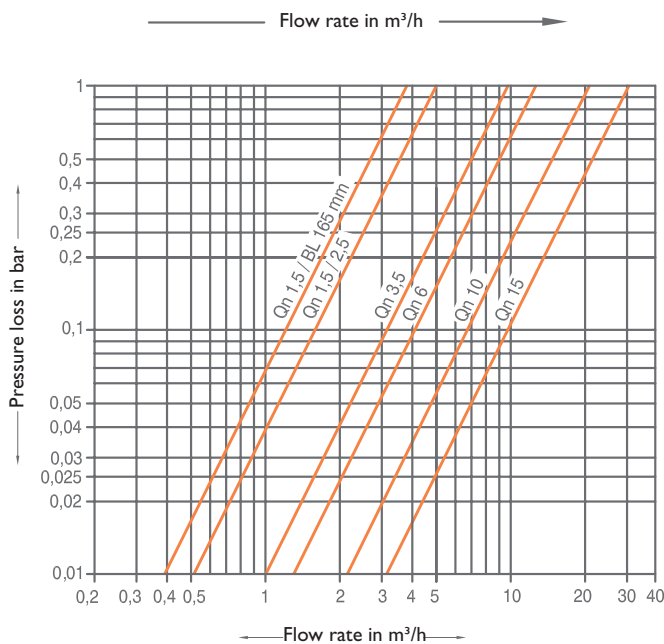
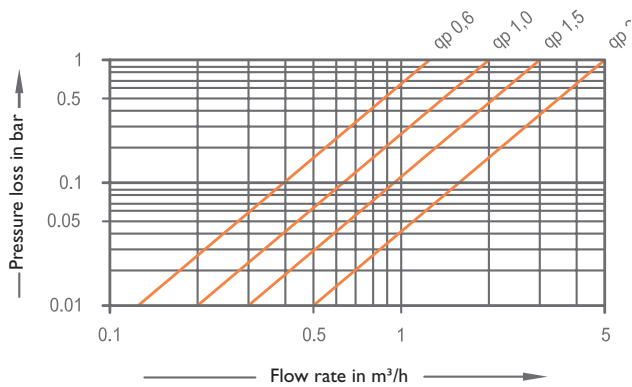
Single-jet impeller for DN20		0,6; 1,5 m³/h	2,5 m³/h
A	Mounting length without screwing	110 mm	130 mm
	Mounting length with screwing	209 mm	228 mm
C	Height with pulser	108 mm	
D	Height at center of pipe	90 mm	
	Width	72 mm	
	weight without screwing	0,6 kg	0,7 kg
	vertical or horizontal mounting		

Version 2



Multi-jet impeller for DN25/DN32		3,5 m³/h	6,0 m³/h	10 m³/h	15 m³/h
A	Mounting length without screwing	260 mm		300 mm	
B	total height	159 mm	185 mm	185 mm	199 mm
C	height at center	116 mm	139 mm	139 mm	142 mm
H	height with flange	168 mm	208 mm	208 mm	220 mm
	weight with screwing	3,2 kg	3,5 kg	6,4 kg	7,4 kg
	weight without screwing	2,7 kg	2,8 kg	5,3 kg	5,8 kg
	horizontal mounting				

Pressure loss curve



Subject to technical change. Errors excepted