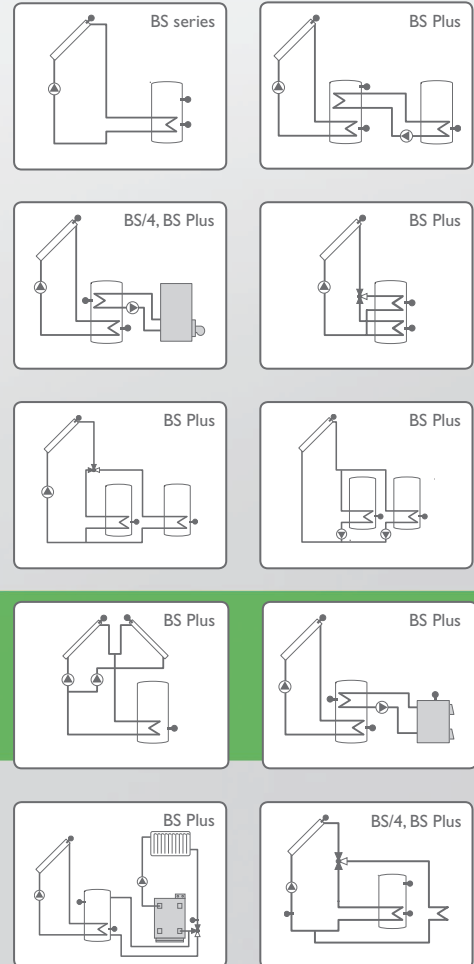


DeltaSol® BS series

Solar controllers for simple solar and heating systems



DeltaSol® BS series:

- ✓ Pump speed control
- ✓ Heat quantity measurement
- ✓ Commissioning menu
- ✓ Drainback option
- ✓ RESOL VBus®
- ✓ Unit °C and °F selectable
- ✓ High-efficiency pump control via VBus®/PWM adapter
- ✓ Up to 4 Pt1000 temperature sensors
- ✓ Energy-efficient switching-mode power supply

DeltaSol® BS/4 and BS Plus:

- ✓ Thermostat function (time-controlled)
- ✓ Drainback option incl. booster function
- ✓ Thermal disinfection function
- ✓ Tube collector function
- ✓ 3 basic system layouts to choose from – incl. heat dump system layout

DeltaSol® BS Plus only:

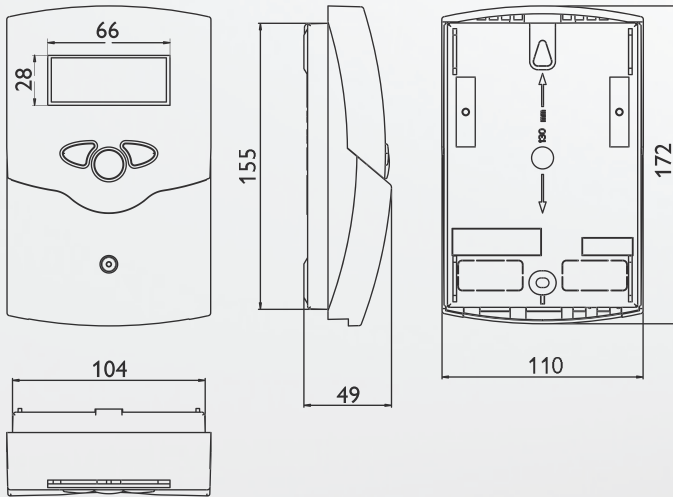
- ✓ 10 basic system layouts to choose from – incl. heat dump, heat exchange, return preheating etc.
- ✓ 2 relays for pump speed control
- ✓ Extended priority logic



c US

cTUVus certified!

Technical data



Inputs: 4 Pt1000 temperature sensors

Outputs: 1 semiconductor relay (BS/2), 2 semiconductor relays (BS/4, BS Plus)

Switching capacity: 1 (1) A 240 V~ (semiconductor relay)

Total switching capacity: 1 A 240 V~ (BS/2), 2 A 240 V~ (BS/4, BS Plus)

Power supply: 100 ... 240 V~ (50 ... 60 Hz)

Supply connection: type Y attachment

Power consumption: < 1 W (standby)

Mode of operation: type 1.C.Y action

Rated impulse voltage: 2.5 kV

Data interface: RESOL VBus®

VBus® current supply: 35 mA

Functions: differential temperature controller with adjustable system functions: function control, operating hours counter, tube collector function (BS/4, BS Plus), heat quantity measurement and pump speed control

Housing: plastic, PC-ABS and PMMA

Mounting: wall mounting, mounting into patch panels is possible

Indication/Display: System-Monitoring-Display for visualisation of systems, 16-segment and 7-segment display, 8 symbols for indication of system status and operating control lamp

Operation: 3 push buttons at the front

Ingress protection: IP 20/EN 60529

Protection class: II

Ambient temperature: 0 ... 40 °C

Pollution degree: 2

Dimensions: 172 x 110 x 49 mm

RESOL DeltaSol® BS

Article no.: 115 412 33 (BS/2)/115 425 13 (BS/4)

RESOL DeltaSol® BS - Full kit

Article no.: 115 412 43 (BS/2)/115 425 23 (BS/4)

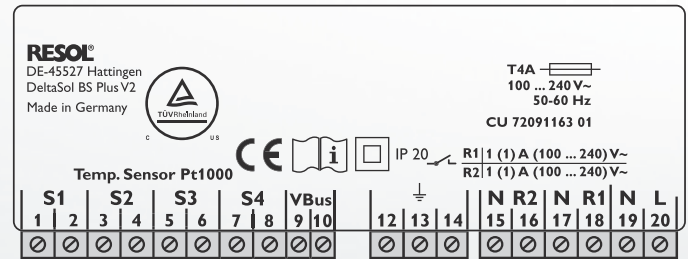
RESOL DeltaSol® BS Plus

Article no.: 115 422 03

RESOL DeltaSol® BS Plus - Full kit

Article no.: 115 422 13

Electrical connection



Accessories

VBus®/USB, VBus®/LAN and VBus®/PWM interface adapter



The interface adapters enable the communication between the controller and a computer. A full version of the RESOL ServiceCenter software is included.

RESOL VBus®/USB

Article no.: 180 008 50

RESOL VBus®/LAN

Article no.: 180 008 80

The VBus®/PWM interface adapter converts the pump speed information into a PWM or 0-10V signal.

RESOL VBus®/PWM

Article no.: 180 008 60

DL2 Datalogger



This additional module enables the acquisition and storage of large amounts of data (such as measuring and balance values of the solar system) over a long period of time. The DL2 can be configured and read out with a standard Internet browser via its integrated web interface.

RESOL DL2 Datalogger

Article no.: 180 007 10

SD3 Smart Display / GA3 Large Display



The RESOL Smart Display is designed for simple connection to RESOL controllers with RESOL VBus®. It is used for visualising data issued by the controller: collector temperature, store temperature and energy yield of the solar thermal system. An additional power supply is not required.

The RESOL GA3 is a completely mounted large display module for visualisation of collector- and store temperatures as well as the heat quantity yield of the solar system. An easy connection to all controllers with RESOL VBus® is possible.

RESOL SD3 Smart Display

Article no.: 180 004 93

RESOL GA3 Large Display

Article no.: 180 006 53

